



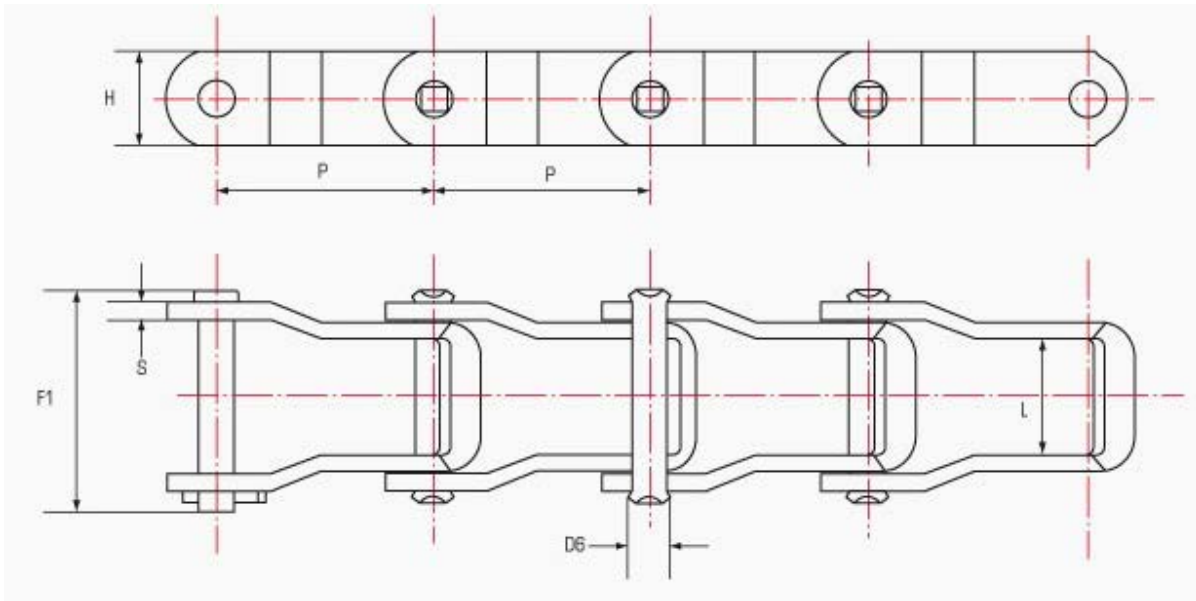
Steel Pintle Chains



JOHN KING USA Inc.

John King Steel Pintle Chains

John King Steel Pintle chains are suitable for a wide variety of agricultural uses as well as other similar conveying arrangements



Chain No.	Pitch (P)	Overall Width (F1)	Inside Width (L)	Pin Diameter (D6)	Height (H)	Thickness (S)	Weight lbs./ft	Min. Average Tensile Strength
JK662	1.664	1.625	0.906	0.281	0.720	0.125	1.050	8,500
JK667H	2.313	1.734	1.000	0.312	0.875	0.125	1.170	9,500
JK667X	2.250	1.953	1.063	0.437	0.937	0.170	1.860	15,000
JK667XH	2.250	2.313	1.078	0.469	1.062	0.224	2.800	26,000
JK88K	2.609	2.125	1.078	0.437	1.062	0.200	2.300	20,000
JK88XH	2.609	2.641	1.250	0.500	1.125	0.250	3.320	30,000
JK58	4.000	3.359	2.031	0.625	1.500	0.310	0.550	50,000

