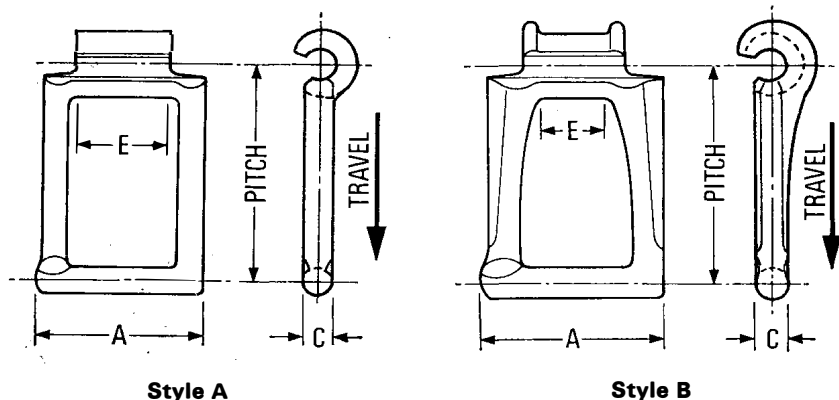


Conveying CAST DETACHABLE CHAIN

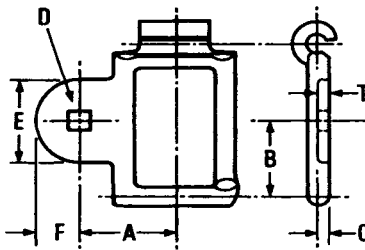


BRITISH PATTERN

Chain Number	Style	Nominal dimensions								No. of links in 10 ft	Average ultimate strength		Average net weight	
		Approx. Pitch		Width A		Diameter of crossbar C		Maximum sprocket face E			lb	kg	lb/ft	kg/m
		in	mm	in	mm	in	mm	in	mm					
32	A	1.14	29	1 1/32	26	3/32	4	1/2	14	106	850	385	0.42	0.62
33	A	1.38	35	1 1/16	27	3/32	4	1/2	14	87	850	385	0.42	0.62
42	A	1.38	35	1 3/8	35	1/2	6	3/8	16	87	2000	910	0.72	1.08
45	A	1.61	41	1 3/8	35	3/32	5.5	1 1/16	17	75	1500	680	0.57	0.85
48	A	2.03	51.5	1 5/8	41	1/16	5.6	3/8	23	59	2000	910	0.66	0.98
52	A	1.52	38.5	1 1/2	38	1/2	6	1 1/8	21	80	2250	1020	0.90	1.34
55	A	1.64	41.7	1 3/8	35	1/16	6.5	3/8	16	73	2500	1140	1.00	1.51
57	A	2.32	59	2	50	1/16	8	1 1/8	25	52	3000	1360	1.16	1.74
57S	A	2.40	61	2 1/16	52	1/16	10.5	1 1/8	24	50	5000	2275	1.85	2.76
60	A	1.75	44.5	1 1/2	44	1/16	8	3/4	19	69	3000	1360	1.10	1.64
61	A	1.80	45.7	2 1/16	56	3/8	10	1 1/16	30	67	5000	2275	2.30	3.44
63	A	3.00	76	2 1/16	59	3/8	10	1 1/16	30	40	5000	2275	1.75	2.62
67	B	2.32	59	2 1/16	65	3/8	10	1 1/4	29	52	5500	2500	2.50	3.74
74	A	2.38	60.5	2 1/16	68	1/16	11	1 1/16	30	51	6000	2730	2.90	4.33
78	B	2.63	67	2 3/8	73	3/8	10	1 1/8	24	46	6000	2730	2.50	3.74
79	B	5.25	133.5	2 1/16	68	1/16	10.5	1	26	23	6000	2730	2.00	2.98
88	B	2.66	67.7	3 1/2	82	1/2	12	1	26	45	7500	3400	3.70	5.51
94	B	4.04	102.7	4 1/2	114	1/16	13.5	2	50	30	8000	3640	4.20	6.26
101	A	3.55	90.2	4	102	1/16	15	1 3/8	41	34	12500	5700	6.20	9.25
103	B	3.02	77	3 1/2	89	1/16	14	1 1/4	28	40	9000	4100	4.30	6.43
104	B	4.05	102.8	4 1/16	116	1/16	15	2	50	30	10000	4550	5.30	7.87

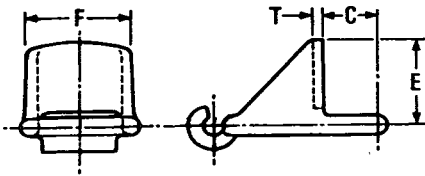
Conveying CAST DETACHABLE CHAIN Attachments

Type A1



Chain Number	Dimensions													
	A		B		C		D†		E		F		T	
	in	mm	in	mm	in	mm	in	mm	in	mm	in	mm	in	mm
32	$\frac{3}{8}$	22	$\frac{7}{8}$	14	$\frac{3}{32}$	2	$\frac{7}{8}$ O	5	$\frac{1}{16}$	17	$\frac{7}{8}$	8	$\frac{1}{8}$	3
42	$1\frac{1}{8}$	27	$\frac{1}{8}$	17	$\frac{1}{8}$	3	$\frac{7}{8}$	8	$\frac{3}{16}$	24	$\frac{5}{8}$	16	$\frac{3}{16}$	4
45	$1\frac{1}{2}$	28	$\frac{3}{8}$	22	$\frac{3}{32}$	2.5	$\frac{1}{2}$ O	6	$1\frac{1}{8}$	30	$\frac{5}{8}$	16	$\frac{1}{8}$	3
48	$1\frac{1}{8}$	34	$1\frac{1}{8}$	29	$\frac{3}{32}$	2.5	$\frac{7}{8}$	8	$1\frac{3}{8}$	35	$\frac{5}{8}$	16	$\frac{3}{16}$	4
52	$1\frac{1}{8}$	30	$\frac{1}{8}$	17	$\frac{1}{8}$	3	$\frac{7}{8}$	8	$1\frac{1}{8}$	27	$\frac{3}{8}$	19	$\frac{7}{8}$	5
55	$1\frac{1}{8}$	30	$\frac{3}{16}$	22	$\frac{3}{16}$	4	$\frac{7}{8}$	8	$1\frac{1}{2}$	28	$\frac{3}{16}$	17	$\frac{3}{16}$	4
57	$1\frac{1}{2}$	38	$1\frac{1}{8}$	30	$\frac{3}{16}$	4	$\frac{3}{8}$	10	$1\frac{3}{8}$	41	$\frac{1}{16}$	24	$\frac{7}{8}$	5
57S	$1\frac{1}{8}$	40	$1\frac{1}{8}$	33	$\frac{3}{32}$	6	$\frac{7}{8}$	8	$1\frac{3}{8}$	41	$\frac{1}{16}$	24	$\frac{1}{2}$	7
60	$1\frac{1}{8}$	33	$\frac{1}{8}$	24	$\frac{3}{16}$	4	$\frac{7}{8}$	8	$1\frac{1}{2}$	29	$\frac{7}{8}$	14	$\frac{3}{16}$	4

Type C3

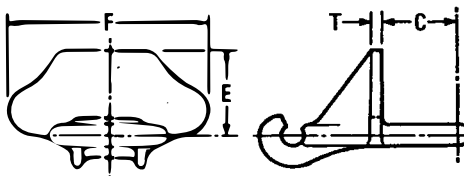


Style A

Chain Number	Dimensions							
	C		E		F		T	
	in	mm	in	mm	in	mm	in	mm
48	$\frac{3}{8}$	22	$1\frac{1}{8}$	40	$1\frac{3}{8}$	35	$\frac{3}{16}$	4
57	$\frac{3}{4}$	19	$2\frac{1}{8}$	54	$1\frac{3}{8}$	41	$\frac{3}{16}$	4
63	$1\frac{1}{8}$	36	$1\frac{3}{8}$	48	$2\frac{1}{8}$	54	$\frac{7}{8}$	5
78	$1\frac{1}{8}$	26	$2\frac{1}{8}$	54	$2\frac{3}{8}$	60	$\frac{3}{16}$	4
103	$1\frac{1}{2}$	38	$2\frac{1}{2}$	64	$3\frac{1}{8}$	82	$\frac{3}{16}$	6

Within limits these attachments can be drilled to suit customers' requirements.

Type C3



Style B

Chain Number	Dimensions							
	C		E		F		T	
	in	mm	in	mm	in	mm	in	mm
84	$1\frac{1}{8}$	46	$3\frac{3}{8}$	92	$5\frac{3}{8}$	150	$\frac{7}{8}$	5
94	$1\frac{1}{2}$	45	$3\frac{3}{8}$	92	$5\frac{3}{8}$	143	$\frac{1}{2}$	6
104	$1\frac{1}{2}$	45	$3\frac{1}{2}$	95	6	152	$\frac{3}{16}$	6

Within limits these attachments can be drilled to suit customers' requirements.

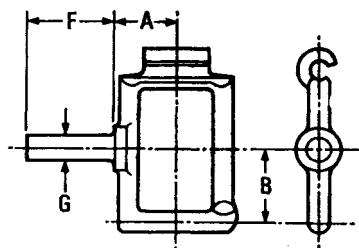
†Bolt diameter O Round holes

Conveying CAST DETACHABLE CHAIN Attachments

Type D5

Chain Number	Dimensions							
	A		B		F		G	
	in	mm	in	mm	in	mm	in	mm
42	$1\frac{1}{8}$	21	$\frac{1}{2}$	13	$1\frac{1}{8}$	39	$\frac{1}{2}$	13
52	$\frac{3}{4}$	19	$\frac{3}{8}$	16	$1\frac{1}{8}$	41	$\frac{1}{2}$	13
55	$\frac{3}{4}$	19	$\frac{3}{4}$	19	$1\frac{1}{8}$	36	$\frac{1}{2}$	13
57*	$\frac{3}{4}$	23	$1\frac{1}{8}$	30	2	50	$\frac{1}{2}$	13

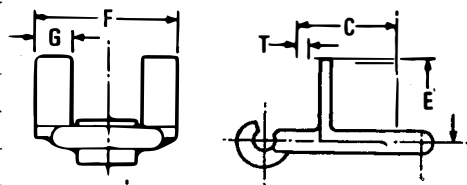
*No. 57 does not have a boss and is designated D.3.



Type F1

Chain Number	Dimensions									
	C		E		F		G		T	
	in	mm	in	mm	in	mm	in	mm	in	mm
45	$1\frac{1}{8}$	30	$1\frac{1}{2}$	32	$2\frac{3}{8}$	60	$\frac{3}{4}$	19	$\frac{1}{2}$	4
52	1	26	$1\frac{1}{2}$	32	$2\frac{3}{8}$	67	$1\frac{1}{8}$	21	$\frac{1}{2}$	3
55	$1\frac{1}{8}$	30	$1\frac{1}{8}$	30	$2\frac{1}{8}$	65	$1\frac{1}{8}$	21	$\frac{1}{2}$	4
57	$1\frac{1}{8}$	41	$1\frac{1}{8}$	40	3	76	$1\frac{1}{8}$	24	$\frac{1}{2}$	4
67	$1\frac{1}{8}$	47	$1\frac{1}{8}$	46	$3\frac{1}{2}$	80	$1\frac{1}{8}$	24	$\frac{3}{32}$	6

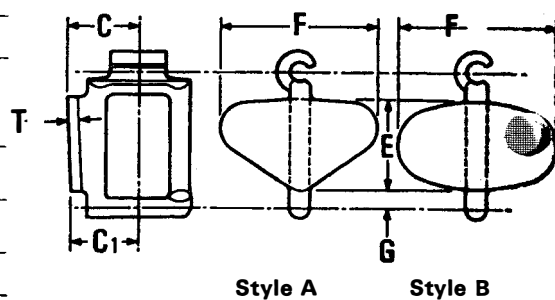
Within limits these attachments can be drilled to suit customers' requirements.



Type G1

Chain Number	Style	Dimensions											
		C		C1	E		F		G		T		
		in	mm	in	mm	in	mm	in	mm	in	mm		
57	A	$1\frac{1}{8}$	35	$1\frac{1}{8}$	33	$1\frac{1}{8}$	40	$2\frac{1}{2}$	70	on CL	on CL	$\frac{1}{8}$	5
63	B	$1\frac{1}{8}$	40	$1\frac{1}{8}$	40	$1\frac{1}{8}$	48	$3\frac{1}{8}$	78	$\frac{3}{8}$	16	$\frac{1}{2}$	4
78	B	$1\frac{1}{8}$	46	$1\frac{1}{8}$	41	$1\frac{1}{2}$	45	$3\frac{1}{8}$	78	on CL	on CL	$\frac{3}{32}$	6
88	B	$1\frac{1}{8}$	47	$1\frac{1}{8}$	47	$1\frac{1}{8}$	47	$3\frac{1}{8}$	90	$\frac{3}{8}$	10	$\frac{1}{2}$	7

Within limits these attachments can be drilled to suit customers' requirements.

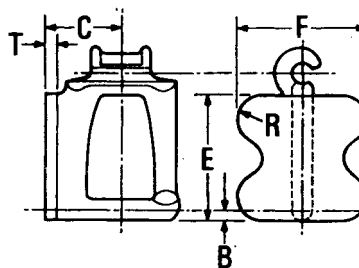


Type G20

Chain Number	Dimensions													
	B		C		E		F		R		T			
	in	mm	in	mm	in	mm	in	mm	in	mm	in	mm		
57	$\frac{1}{2}$	4	$1\frac{1}{8}$	34	$2\frac{3}{8}$	60	$2\frac{1}{2}$	63	—	—	$\frac{1}{2}$	4		
67	$\frac{3}{8}$	16	$1\frac{1}{8}$	41	$3\frac{3}{8}$	86	$2\frac{1}{2}$	70	$\frac{1}{2}$	13	$\frac{1}{2}$	7		
74	$\frac{1}{2}$	13	$1\frac{1}{8}$	41	$3\frac{1}{8}$	84	$2\frac{1}{2}$	68	$\frac{1}{8}$	11	$\frac{3}{32}$	6		
79	1	25	$1\frac{1}{2}$	38	$3\frac{1}{2}$	89	$2\frac{3}{8}$	73	$\frac{1}{2}$	13	$\frac{3}{32}$	6		
88	$\frac{1}{2}$	7	$1\frac{1}{8}$	40	$2\frac{3}{8}$	66	$3\frac{1}{8}$	80	$\frac{1}{2}$	13	$\frac{1}{2}$	7		
103	$\frac{3}{4}$	20	$1\frac{1}{8}$	48	$3\frac{1}{2}$	89	$3\frac{1}{2}$	89	$\frac{3}{8}$	16	$\frac{1}{2}$	7		

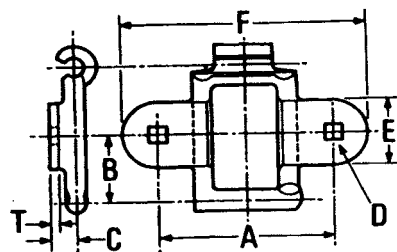
No. 57 is square not shaped. No. 79 B dimension is above the centre line.

Within limits these attachments can be drilled to suit customers' requirements.



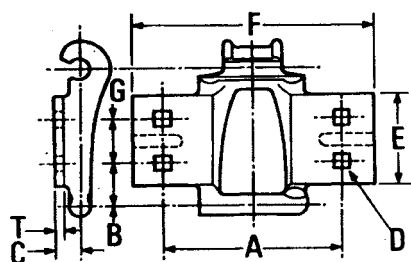
Conveying CAST DETACHABLE CHAIN Attachments

Type K1



Chain Number	Dimensions													
	A		B		C		D†		E		F		T	
	in	mm	in	mm	in	mm	in	mm	in	mm	in	mm	in	mm
32	2	51	$\frac{3}{8}$	16	$\frac{1}{2}$	6	$\frac{7}{8}$ Ø	5	$\frac{3}{4}$	19	$2\frac{1}{8}$	71	$\frac{1}{2}$	3
33	2	51	$\frac{11}{16}$	17	$\frac{1}{2}$	6	$\frac{7}{8}$ Ø	5	$\frac{3}{4}$	19	$2\frac{1}{8}$	74	$\frac{1}{2}$	3
42	$2\frac{7}{8}$	55	$\frac{11}{16}$	17	$\frac{3}{8}$	10	$\frac{7}{8}$ Ø	5	$\frac{3}{4}$	19	$3\frac{7}{8}$	80	$\frac{5}{16}$	4
45	2	51	$\frac{3}{4}$	19	$\frac{3}{8}$	10	$\frac{7}{8}$ Ø	5	$\frac{7}{8}$	22	$2\frac{1}{8}$	71	$\frac{1}{2}$	3
48	$2\frac{7}{8}$	62	$1\frac{1}{8}$	27	$\frac{7}{8}$	14	$\frac{7}{8}$ Ø	8	$1\frac{1}{8}$	28	$3\frac{3}{8}$	86	$\frac{1}{2}$	3
52	$2\frac{1}{2}$	58	$\frac{3}{4}$	19	$\frac{7}{8}$	11	$\frac{7}{8}$	8	$\frac{11}{16}$	20	$3\frac{1}{8}$	79	$\frac{5}{16}$	4
55	$2\frac{7}{8}$	55	$\frac{11}{16}$	20	$\frac{3}{8}$	10	$\frac{7}{8}$	8	1	25	$3\frac{7}{8}$	80	$\frac{1}{2}$	3
57	$3\frac{7}{8}$	78	$1\frac{1}{8}$	29	$\frac{7}{8}$	14	$\frac{3}{4}$	10	$1\frac{1}{2}$	32	$4\frac{1}{8}$	105	$\frac{5}{16}$	4
60	$2\frac{1}{2}$	63	$\frac{11}{16}$	21	$\frac{1}{2}$	13	$\frac{7}{8}$	8	1	25	$3\frac{3}{8}$	85	$\frac{5}{16}$	4
61	$3\frac{7}{8}$	84	$\frac{3}{4}$	22	$\frac{3}{8}$	16	$\frac{3}{8}$	10	1	25	$4\frac{3}{8}$	111	$\frac{7}{16}$	5
63	$3\frac{3}{8}$	92	$1\frac{1}{2}$	38	$\frac{3}{4}$	20	$\frac{3}{8}$	10	$1\frac{1}{2}$	38	$4\frac{7}{8}$	124	$\frac{3}{16}$	5
67	$3\frac{3}{8}$	98	$1\frac{1}{8}$	29	$\frac{11}{16}$	18	$\frac{3}{8}$	10	$1\frac{7}{8}$	33	$4\frac{7}{8}$	124	$\frac{5}{16}$	4
74	$3\frac{7}{8}$	88	$1\frac{1}{2}$	32	$\frac{9}{16}$	15	$\frac{7}{8}$	11	$1\frac{7}{8}$	34	$4\frac{7}{8}$	116	$\frac{3}{16}$	5
78	$3\frac{3}{4}$	95	$1\frac{7}{8}$	33	$\frac{3}{4}$	19	$\frac{3}{8}$	10	$1\frac{3}{8}$	35	5	127	$\frac{7}{8}$	5
88	$4\frac{1}{8}$	105	$1\frac{7}{8}$	33	$\frac{11}{16}$	21	$\frac{7}{8}$	11	$1\frac{1}{2}$	38	$5\frac{1}{2}$	133	$\frac{3}{16}$	5
101	$5\frac{1}{8}$	130	$1\frac{3}{8}$	48	1	25	$\frac{1}{2}$	13	2	50	$7\frac{1}{8}$	181	$\frac{1}{2}$	6
103	$4\frac{7}{8}$	110	$1\frac{1}{2}$	38	$\frac{11}{16}$	21	$\frac{7}{8}$	11	$1\frac{11}{16}$	43	$5\frac{7}{8}$	141	$\frac{1}{2}$	6

Type K2



Chain Number	Dimensions															
	A		B		C		D†		E		F		G		T	
	in	mm	in	mm	in	mm	in	mm	in	mm	in	mm	in	mm	in	mm
79	$4\frac{7}{8}$	103	$1\frac{3}{8}$	35	$\frac{11}{16}$	21	$\frac{1}{2}$	12	$3\frac{3}{8}$	95	$5\frac{1}{2}$	134	$2\frac{1}{2}$	63	$\frac{1}{2}$	7
88	4	102	$\frac{11}{16}$	21	$\frac{3}{4}$	20	$\frac{3}{8}$	10	2	50	5	127	1	25	$\frac{1}{2}$	7
94	$5\frac{1}{8}$	148	$1\frac{7}{8}$	33	$\frac{3}{8}$	22	$\frac{7}{8}$	11	$2\frac{3}{8}$	67	7	178	$1\frac{1}{2}$	38	$\frac{3}{16}$	6
103	$4\frac{7}{8}$	109	$\frac{11}{16}$	24	$\frac{3}{8}$	22	$\frac{3}{8}$	10	$2\frac{7}{8}$	55	$5\frac{1}{2}$	140	$1\frac{1}{8}$	28	$\frac{1}{2}$	7
104	$5\frac{3}{8}$	149	$1\frac{7}{8}$	33	$\frac{3}{8}$	22	$\frac{7}{8}$	11	$2\frac{3}{8}$	66	7	178	$1\frac{1}{2}$	38	$\frac{7}{8}$	8

No. 79 has two lugs each side as indicated by dotted lines.

†Bolt diameter.

For Flight wing attachments suitable for grain conveyors see also page 33.